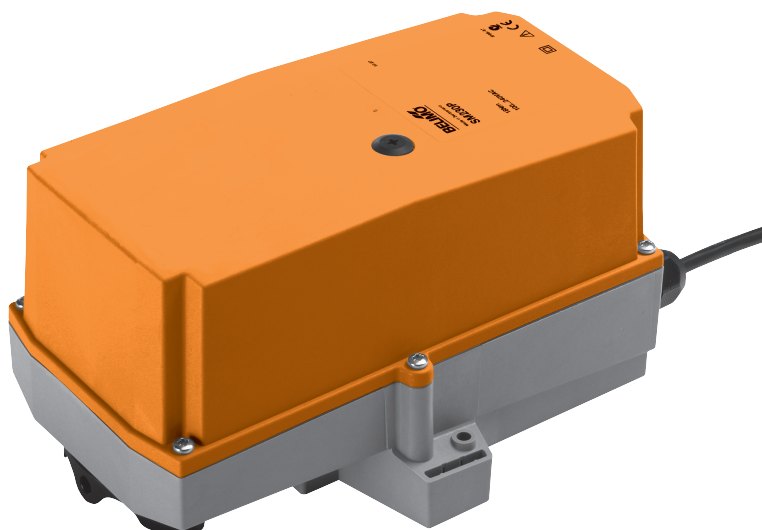


Robustline damper actuator for operating air dampers in industrial plants and in the technical building installations

- For air dampers up to approx. 1.6 m<sup>2</sup>
- Torque 8 Nm
- Nominal voltage AC/DC 24 V
- Control: Open-close or 3-point
- Auxiliary switch

Optimum protection against

- Corrosion and chemical influences
- UV radiation
- Damp and condensation



### Technical data

<b>Electrical data</b>	Nominal voltage	AC 24 V, 50/60 Hz / DC 24 V	
	Nominal voltage range	AC/DC 19.2 ... 28.8 V	
	Power consumption	Operation	1.5 W @ nominal torque
		At rest	0.2 W
	Wire sizing	4 VA	
	Auxiliary switch	1 x EPU, 1 mA ... 3 (0,5) A, AC 250 V <input type="checkbox"/>	(adjustable 0 ... 100%)
Connection	Motor	Halogen-free cable 1 m, 3 x 0.75 mm <sup>2</sup>	
	Auxiliary switch	Halogen-free cable 1 m, 3 x 0.75 mm <sup>2</sup>	
<b>Functional data</b>	Torque (nominal torque)	Min. 8 Nm @ nominal voltage	
	Direction of rotation	Reversible with switch 0 ↺ resp. 1 ↻	
	Manual override	Gearing latch disengaged with pushbutton, can be locked	
	Angle of rotation	Max. 95°↔, can be limited at both ends with adjustable mechanical end stops	
	Running time	150 s / 90°↔	
	Sound power level	Max. 35 dB (A)	
	Position indication	Mechanical, pluggable	
<b>Safety</b>	Protection class	III Safety extra-low voltage	
	Degree of protection	IP66 + IP67	
	EMC	CE according to 2004/108/EC	
	Low-voltage directive	CE according to 2006/95/EC	
	Mode of operation	Typ 1.B (EN 60730-1)	
	Rated impulse voltage	0.8 kV (EN 60730-1)	
	Control pollution degree	4 (EN 60730-1)	
	Ambient temperature	-30 ... +50 °C	
	Non-operating temperature range	-40 ... +50 °C	
	Ambient humidity	100% r.H.	
Maintenance	Maintenance-free		
<b>Dimensions / Weight</b>	Dimensions	See «Dimensions» on page 3	
	Weight	Approx. 1.3 kg	

### Safety notes



- The actuator is not allowed to be used outside the specified field of application, especially in aircraft or in any other airborne means of transport.
- It may only be installed by suitably trained personnel.  
All applicable legal or institutional installation regulations must be complied with.
- The cover of the protective housing may be opened for adjustment and servicing. When it is closed afterwards, the housing must seal tight (see installation instructions).
- The device on the inside may only be opened up in the factory. It does not contain any parts that can be replaced or repaired by the user.
- The cable must not be removed from the device.

**Safety notes**

(continued)

- When calculating the required torque, the specifications supplied by the damper manufacturers (cross section, design, installation site), and the air flow conditions must be observed.
- The device contains electrical and electronic components and is not allowed to be disposed of as household refuse. All locally valid regulations and requirements must be observed.
- The information on chemical resistance refers to laboratory tests with raw materials and finished products and to trials in the field in the areas of application indicated.
- The materials used may be subjected to external influences (temperature, pressure, constructional fixture, effect of chemical substances etc.), that cannot be simulated in laboratory test or field trials.
- The information regarding areas of application and resistance can therefore only serve as a guideline. In case of doubt, we recommend that you definitely carry out a test. This information does not imply any legal entitlement. Belimo will not be held liable and will provide no warranty. The chemical or mechanical resistance of the materials used is not alone sufficient for judging the suitability of a product. Regulations pertaining to combustible liquids such as solvents etc. must be taken into account with special reference to explosion protection.

**Product features**

**Fields of application** The actuator is particularly suited for use in difficult conditions, e.g. in the field of:

- Wood drying
- Animal breeding
- Food processing
- Agricultural
- Swimming baths / Bathrooms
- Rooftop units
- General outdoor applications
- Changing atmosphere

Resistances	Test	Test standard	Testing body
	Noxious gas tests	EN 60068-2-60	Fraunhofer Institute ICT / DE
	Salt fog spray test	EN 60068-2-52	Fraunhofer Institute ICT / DE
	Ammoniac test	DIN 50916-2	Fraunhofer Institute ICT / DE
	Climatic test	IEC 60068-2-30	Trikon Solutions AG / CH
	Disinfectants (animals)		Trikon Solutions AG / CH
	UV test (Solar radiation at ground level)	EN 60068-2-5 EN 60068-2-63	Quinel / Zug CH

Used materials	Actuator parts	Material
	Actuator housing	Polypropylene (PP)
	Cable glands / hollow shaft	Polyamide (PA)
	Connection cable	FRNC
	Clamp / screws in general	Steel 1.4404
	seals	EPDM
	Form-fit insert	Anodised aluminium

**Simple direct mounting** Simple direct mounting on the damper spindle with a universal spindle clamp, supplied with an anti-rotation strap to prevent

**Manual override** Manual override with pushbutton possible (the gear is disengaged for as long as the button is pressed or remains locked).

**Adjustable angle of rotation** Adjustable angle of rotation with mechanical end stops. Standard setting 0 ... 90° <-1. The housing cover must be removed to set the angle of rotation.

**High functional reliability** The actuator is overload-proof, requires no limit switches and automatically stops when the end stop is reached.

**Flexible signalization** Flexible signalization with adjustable auxiliary switch (0 ... 100%).

Accessories

	Description	Data sheet
Mechanical accessories	Various form-fit inserts	T2 - Z-NM..

Electrical installation

Note

- Connect via safety isolation transformer.
  - Other actuators can be connected in parallel.
- Note the performance data



Wiring diagrams

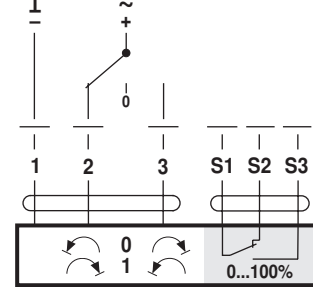
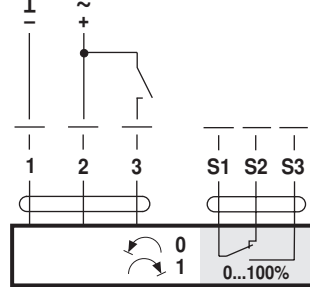
Open-close control

3-point control

Direction of rotation



Auxiliary switch

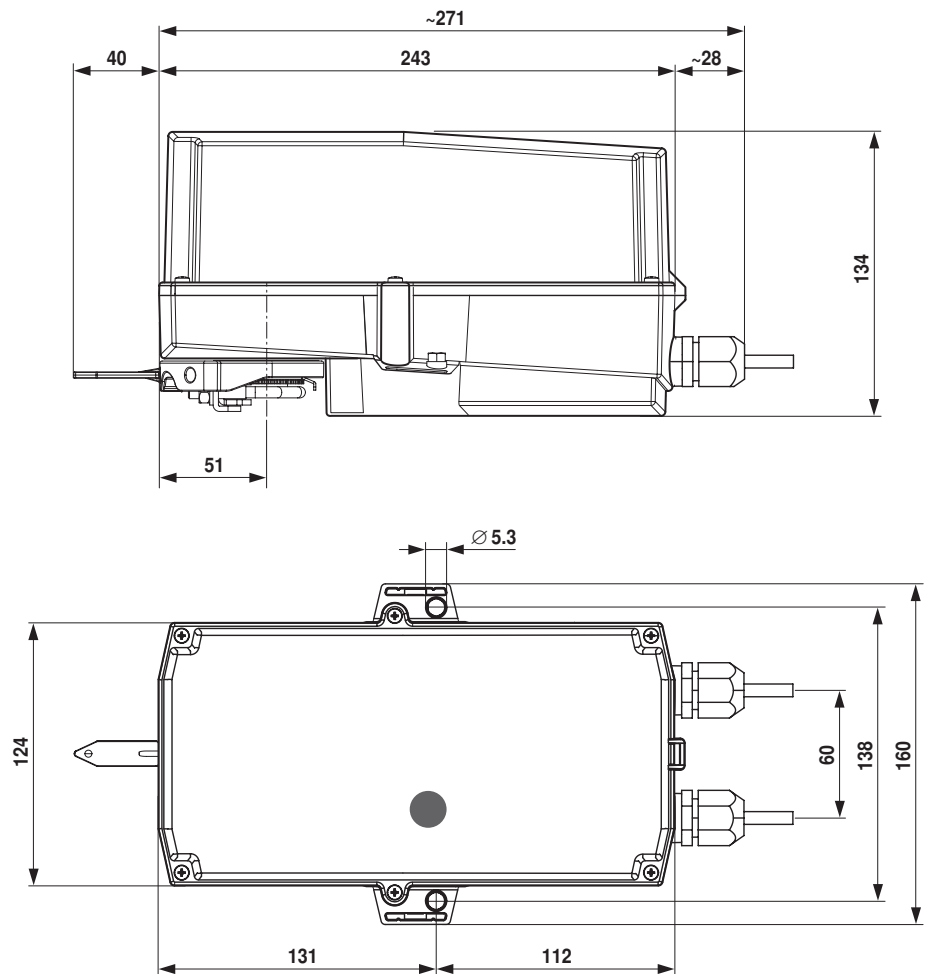


Cable colours:

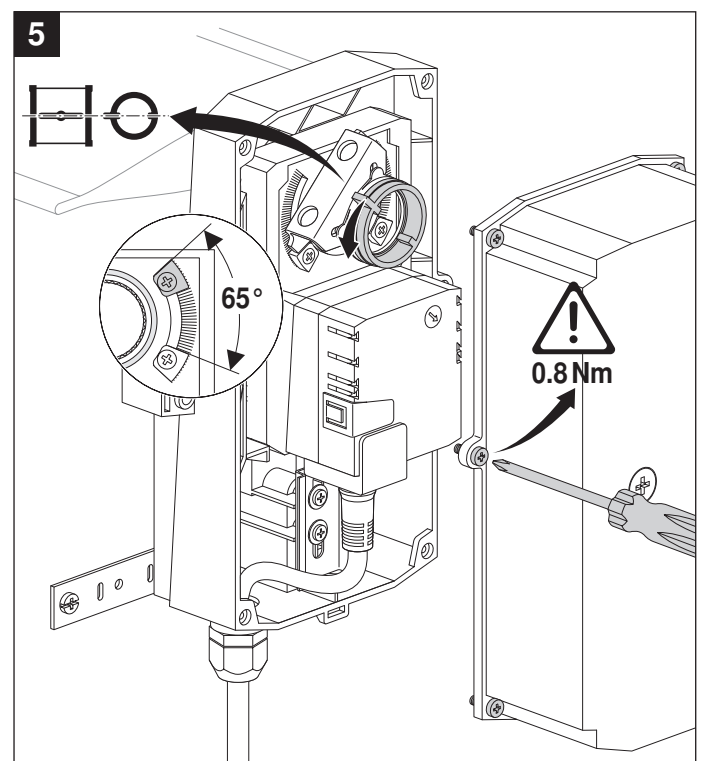
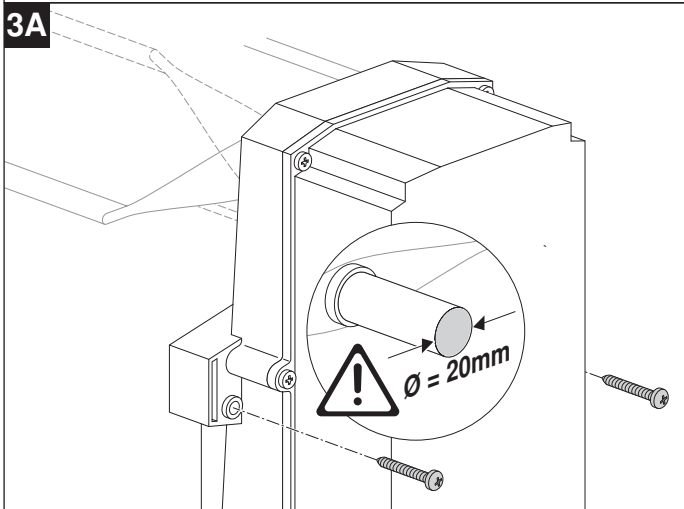
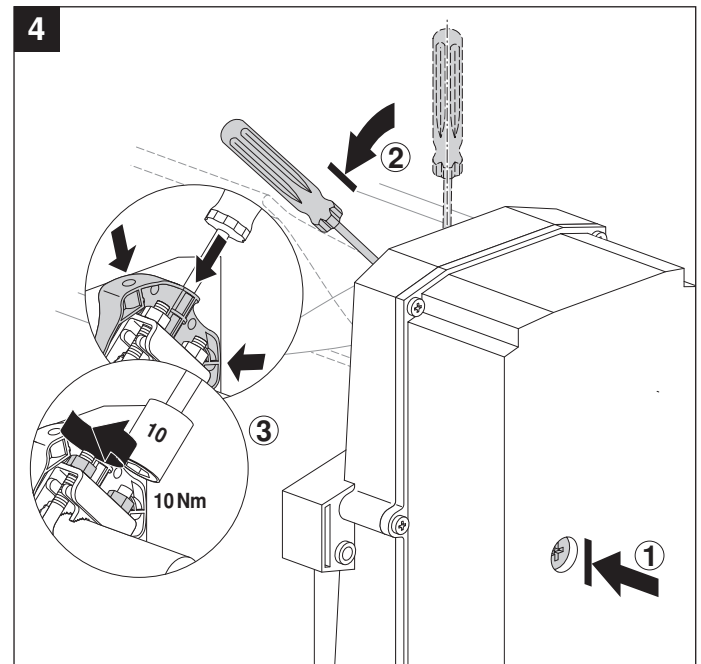
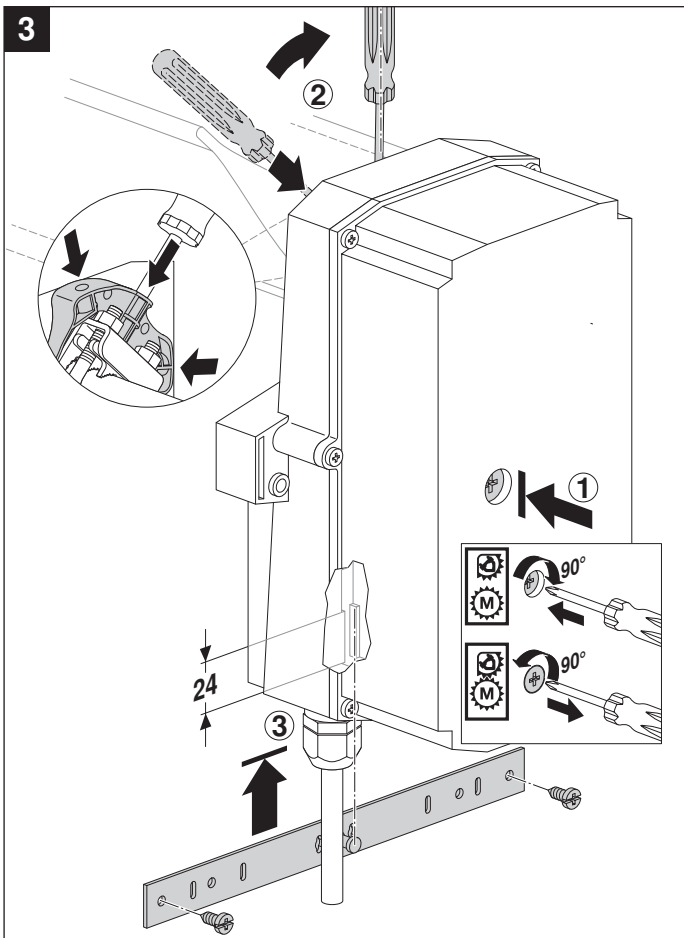
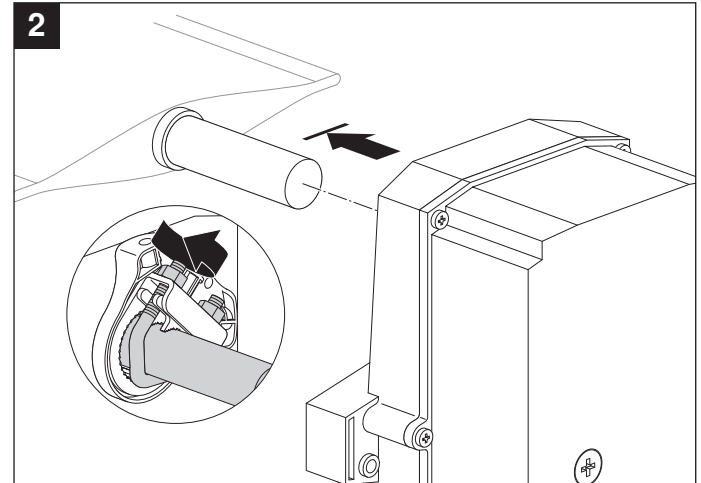
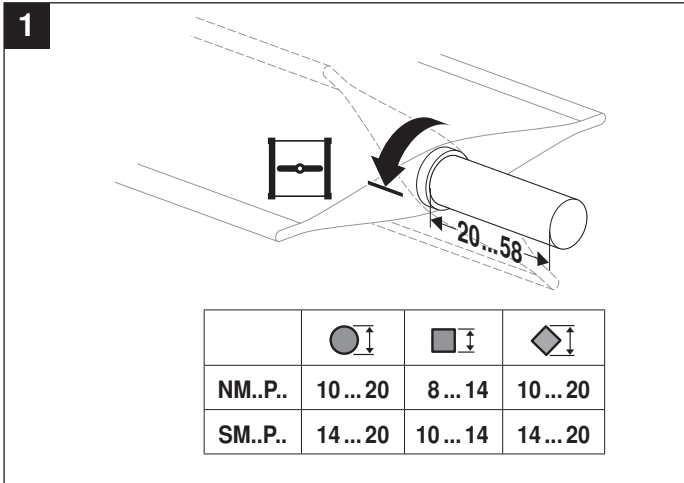
- 1 = black
- 2 = red
- 3 = white
- S1 = violet
- S2 = red
- S3 = white

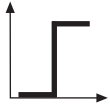
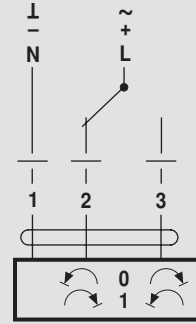
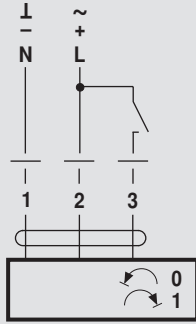
Dimensions [mm]

Dimensional drawings

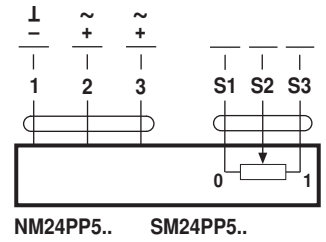
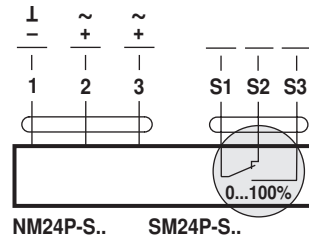
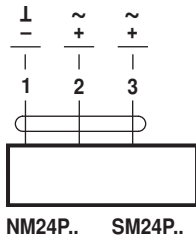


Damper spindle	Length	● I	■ I	◆ I
	20...58	8...20	8...14	10...20

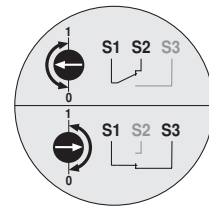
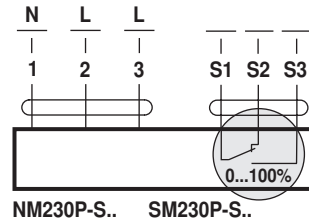
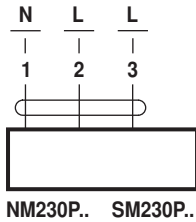




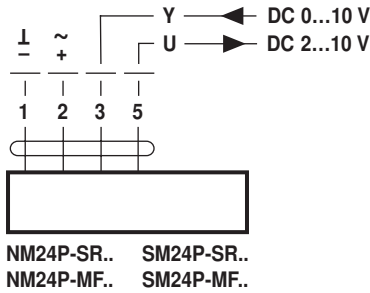
AC 24 V / DC 24 V



AC 100 ... 240 V ⚠



AC 24 V / DC 24 V



AC 100 ... 240 V ⚠

